

Model: D4DH-2500

Data

Type: Semi-hermetic piston compressors

Producer: Copeland

Series: DISCUS

Model: D4DH-2500

Technical data

Cylinder count:	4
Displacement [m ³ /h]:	70,8
Weight [kg]:	225
Oil charge [dm ³]:	4
Max. operating current [A]:	41,5
Locked rotor current [A]:	192
Power supply [V/~/Hz]:	380-420V/3/50Hz

Connections

	<u>milimeters</u>	<u>inches</u>
Suction line:		2 1/8"
Discharge line:		1 1/8"

Model: D4DH-2500

Capacity

R22

Cooling capacity [kW]

$t_c \setminus t_e$	-25	-20	-15	-10	-5	0	5	10
30	23.23	29.14	36.07	44.16	53.58	64.48	77.01	91.33
35	21.72	27.45	34.11	41.87	50.86	61.26	73.21	86.87
40	20.20	25.74	32.13	39.53	48.10	57.99	69.35	82.35
45	-	24.00	30.12	37.16	45.30	54.67	65.44	77.77
50	-	22.26	28.08	34.77	42.46	51.31	61.49	73.14
55	-	-	26.04	32.35	39.59	47.92	57.49	68.45
60	-	-	23.98	29.92	36.71	44.50	53.46	63.73

Power input [kW]

$t_c \setminus t_e$	-25	-20	-15	-10	-5	0	5	10
30	9.17	10.06	10.88	11.57	12.10	12.43	12.52	12.33
35	9.72	10.74	11.70	12.55	13.26	13.80	14.11	14.17
40	10.24	11.38	12.48	13.49	14.38	15.11	15.64	15.93
45	-	11.99	13.22	14.38	15.44	16.36	17.10	17.62
50	-	12.58	13.93	15.23	16.45	17.55	18.49	19.23
55	-	-	14.60	16.03	17.41	18.69	19.82	20.78
60	-	-	15.23	16.80	18.32	19.76	21.09	22.25

Model: D4DH-2500

Capacity

Current [A]

t_c \ t_e	-25	-20	-15	-10	-5	0	5	10
30	20.64	21.82	22.90	23.84	24.57	25.03	25.15	24.88
35	21.36	22.71	24.01	25.18	26.18	26.93	27.38	27.46
40	22.05	23.58	25.08	26.49	27.74	28.78	29.55	29.97
45	-	24.42	26.12	27.75	29.26	30.58	31.65	32.41
50	-	25.23	27.12	28.97	30.72	32.31	33.69	34.78
55	-	-	28.06	30.13	32.12	33.98	35.65	37.06
60	-	-	28.96	31.22	33.45	35.57	37.52	39.25

Mass flow [kg/s]

t_c \ t_e	-25	-20	-15	-10	-5	0	5	10
30	442.47	560.18	696.38	855.95	1 043.77	1 264.71	1 523.65	1 825.46
35	428.75	546.18	681.68	840.12	1 026.39	1 245.35	1 501.89	1 800.87
40	414.23	531.18	665.78	822.90	1 007.42	1 224.20	1 478.14	1 774.10
45	-	515.27	648.77	804.37	986.93	1 201.35	1 452.48	1 745.21
50	-	498.52	630.72	784.59	965.01	1 176.85	1 424.99	1 714.30
55	-	-	611.71	763.66	941.73	1 150.80	1 395.75	1 681.44
60	-	-	591.81	741.64	917.17	1 123.27	1 364.82	1 646.69

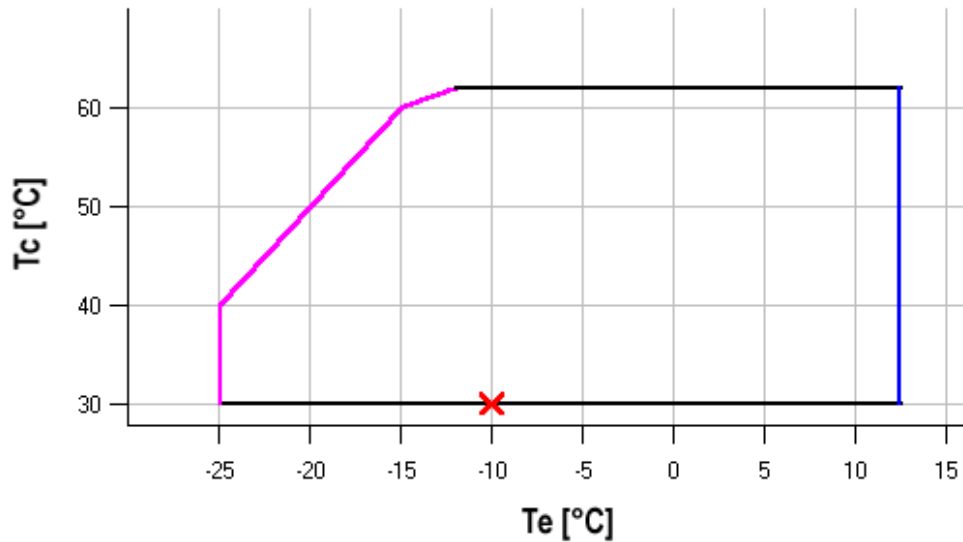
Model: D4DH-2500

Capacity

C.O.P. [W/W]

$t_c \setminus t_e$	-25	-20	-15	-10	-5	0	5	10
30	2.53	2.90	3.32	3.82	4.43	5.19	6.15	7.40
35	2.24	2.56	2.92	3.34	3.83	4.44	5.19	6.13
40	1.97	2.26	2.58	2.93	3.35	3.84	4.44	5.17
45	-	2.00	2.28	2.58	2.93	3.34	3.83	4.41
50	-	1.77	2.02	2.28	2.58	2.92	3.33	3.80
55	-	-	1.78	2.02	2.27	2.56	2.90	3.29
60	-	-	1.57	1.78	2.00	2.25	2.54	2.86

Application range

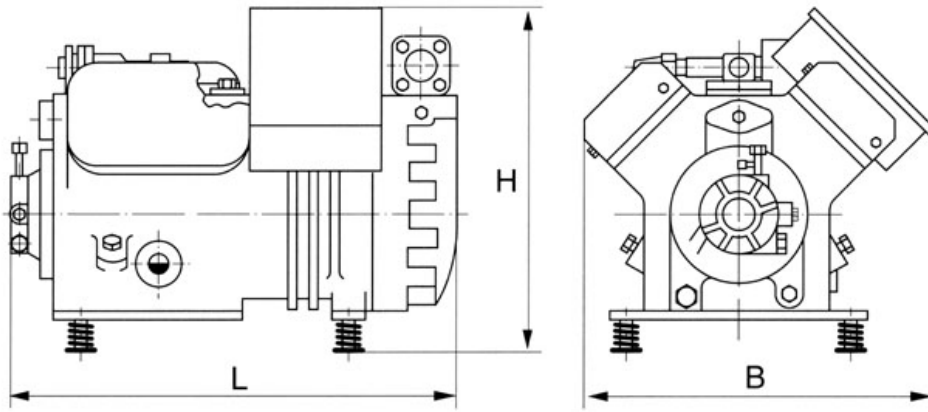


- Maximum evaporating temperature
- 25°C suction gas return

Operating conditions: ISO; subcooling: 0 K, suction superheat: 10 K, return gas temperature: -
 t_c - Condensing temperature [°C]
 t_e - Evaporating temperature [°C]

Model: D4DH-2500

Dimensions



L	670 mm
B	535 mm
H	495 mm

Model: D4DH-2500

Image

